

Report: Student Feedback on Unit (SFU) Survey

Session: 2006.2

**University of Western Sydney
School Report by Item**

Item Report

TECHNICAL NOTES

Rating Scale Used

The data collected in this survey were based on a 5 point rating scale from 1 through to 5 as follows:

- SD = Strongly Disagree (1 on the rating scale)
- D = Disagree (2 on the rating scale)
- N = Neutral (3 on the rating scale)
- A = Agree (4 on the rating scale)
- SA = Strongly Agree (5 on the rating scale)

Data Veracity Checks

The following checks have been made to ensure the veracity of the data. It has been confirmed that:

- Responses for all Units are in one response rating category only.
- Each Unit is allocated to only 1 School.
- School Unit ownership is based on the current School as per the review structure.
- For each Unit the number of SFU responses is not greater than number of surveys issued.
- For each Unit the number of SFU responses (SD, D, N, A, SA, not answered) for each item (question) equals the total number of responses for the survey for that Unit (i.e. if a Unit has 63 responses to the SFU, then the total responses (including no response) for each of the 13 items will also be 63).
- All means are within the range 0 to 5 inclusive.
- All standard deviations are \geq zero.

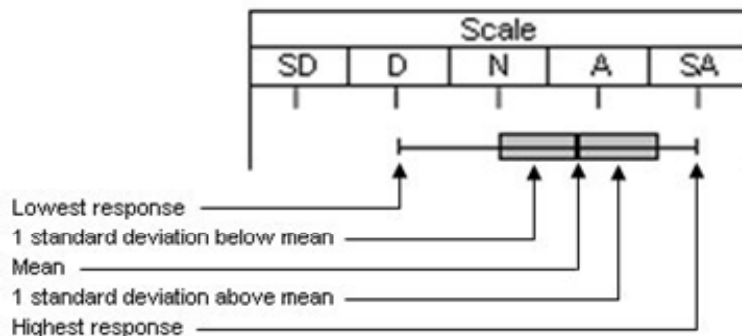
In all cases, where discrepancies were found, clarification was sought from the Educational Development Centre (EDC) and data were corrected.

Data Interpretation

- Please note that any Unit item with less than 10 responses should be treated with caution as there are not enough responses to draw any meaningful conclusions. Also larger Units with a low response rate should be treated with caution as the responses received may not be representative of the student body as a whole.

Mean and Standard Deviation Charts

The charts in this report are of the “*box and whisker*” variety. The following diagram illustrates how to interpret these charts.



Where there is only one response, or if there is only a small number of responses and they are all the same, only a vertical line will be displayed for the chart. This represents the mean, lowest response and the highest response. In this case, the standard deviation would be zero, so nothing would be displayed for this.

Privacy

Where a Unit has received less than 4 responses, details of the responses are not shown.

Table of Contents

Item	Page
1. [Unit Content] - The unit covered what the unit outline said it would.	2
2. [Relevance] - I was able to see the relevance of this unit to my course.	3
3. [Learning Design] - The learning activities in this unit have helped my learning.	4
4. [Assessment Activities] - The assessments in this unit have helped me learn.	5
5. [Assessment Feedback] - I was able to learn from feedback I received in this unit.	6
6. [Assessment Guidelines] - There were clear guidelines for all assessment tasks in this unit.	7
7. [Learning Resources] - The learning resources provided for this unit helped me to engage in learning.	8
8. [Learning Flexibility] - The unit provided a reasonable amount of flexibility for study.	9
9. [Learning Spaces] - The teaching and learning spaces used for this unit were adequate.	10
10. [Workload] - The amount of work required in this unit was reasonable.	11
11. [Equity/Fairness] - In this unit, people treated each other fairly and with respect.	12
12. [Generic Skills] - This unit helped me develop my skills in critical thinking, analysing, problem solving and communicating.	13
13. [Overall Experience] - Overall, I've had a satisfactory learning experience in this unit.	14

**University of
Western Sydney**

Item 1: [Unit Content] - The unit covered what the unit outline said it would.

School Name	School Code	Surveys Issued	Item Response		Mean	St. Dev.	Scale					
			#	Rate			SD	D	N	A	SA	
College of Arts												
Communication Arts	SCA	4,833	2,621	54%	4.0	0.8						
Education	SoEdu	5,324	2,388	45%	4.1	0.8						
Humanities & Languages	SHL	7,936	4,825	61%	4.2	0.8						
Psychology	SoP	4,196	1,808	43%	4.2	0.7						
Social Sciences	SSS	4,863	2,730	56%	4.0	0.8						
College of Business												
Accounting	SoA	4,847	2,019	42%	4.0	0.8						
Economics & Finance	SEF	4,252	1,538	36%	4.0	0.8						
Law	SoL	3,529	1,445	41%	4.1	0.8						
Management	SoMgt	7,950	3,986	50%	4.0	0.8						
Marketing	SoMkt	3,322	1,786	54%	4.0	0.8						
Sydney Graduate School of Management	SGSM	796	301	38%	4.2	0.8						
College of Health & Science												
Biomedical & Health Sciences	SBHS	5,009	2,967	59%	4.1	0.8						
Computing & Mathematics	SCM	5,649	1,589	28%	4.1	0.8						
Engineering	SoEng	3,155	1,244	39%	3.9	0.9						
Natural Sciences	SNS	4,342	2,042	47%	4.1	0.8						
Nursing	SoN	7,023	4,888	70%	4.0	0.7						
UWS												
		77,026	38,177	50%	4.1	0.8						

Item 2: [Relevance] - I was able to see the relevance of this unit to my course.

School Name	School Code	Surveys Issued	Item Response		Mean	St. Dev.	Scale					
			#	Rate			SD	D	N	A	SA	
College of Arts												
Communication Arts	SCA	4,833	2,616	54%	3.9	1.1						
Education	SoEdu	5,324	2,391	45%	4.2	0.9						
Humanities & Languages	SHL	7,936	4,816	61%	3.8	1.0						
Psychology	SoP	4,196	1,809	43%	4.1	0.9						
Social Sciences	SSS	4,863	2,723	56%	4.0	1.0						
College of Business												
Accounting	SoA	4,847	2,020	42%	3.9	0.9						
Economics & Finance	SEF	4,252	1,537	36%	3.9	0.9						
Law	SoL	3,529	1,449	41%	4.1	0.9						
Management	SoMgt	7,950	3,989	50%	3.9	0.9						
Marketing	SoMkt	3,322	1,785	54%	4.0	0.9						
Sydney Graduate School of Management	SGSM	796	301	38%	4.2	0.7						
College of Health & Science												
Biomedical & Health Sciences	SBHS	5,009	2,973	59%	4.1	0.9						
Computing & Mathematics	SCM	5,649	1,589	28%	3.7	1.1						
Engineering	SoEng	3,155	1,246	39%	3.9	1.0						
Natural Sciences	SNS	4,342	2,041	47%	4.1	0.9						
Nursing	SoN	7,023	4,881	70%	3.9	0.9						
UWS		77,026	38,166	50%	4.0	1.0						

Item 3: [Learning Design] - The learning activities in this unit have helped my learning.

School Name	School Code	Surveys Issued	Item Response		Mean	St. Dev.	Scale						
			#	Rate			SD	D	N	A	SA		
College of Arts													
Communication Arts	SCA	4,833	2,605	54%	3.8	1.0							
Education	SoEdu	5,324	2,368	44%	3.9	0.9							
Humanities & Languages	SHL	7,936	4,797	60%	3.8	0.9							
Psychology	SoP	4,196	1,803	43%	3.8	0.9							
Social Sciences	SSS	4,863	2,712	56%	3.8	1.0							
College of Business													
Accounting	SoA	4,847	2,004	41%	3.7	1.0							
Economics & Finance	SEF	4,252	1,534	36%	3.7	1.0							
Law	SoL	3,529	1,440	41%	3.8	1.0							
Management	SoMgt	7,950	3,963	50%	3.7	1.0							
Marketing	SoMkt	3,322	1,780	54%	3.8	0.9							
Sydney Graduate School of Management	SGSM	796	298	37%	4.1	0.8							
College of Health & Science													
Biomedical & Health Sciences	SBHS	5,009	2,953	59%	3.8	1.0							
Computing & Mathematics	SCM	5,649	1,586	28%	3.7	1.0							
Engineering	SoEng	3,155	1,245	39%	3.7	1.0							
Natural Sciences	SNS	4,342	2,036	47%	3.8	0.9							
Nursing	SoN	7,023	4,838	69%	3.7	0.9							
UWS													
		77,026	37,962	49%	3.8	1.0							

Item 4: [Assessment Activities] - The assessments in this unit have helped me learn.

School Name	School Code	Surveys Issued	Item Response		Mean	St. Dev.	Scale					
			#	Rate			SD	D	N	A	SA	
College of Arts												
Communication Arts	SCA	4,833	2,597	54%	3.8	1.0						
Education	SoEdu	5,324	2,356	44%	3.8	0.9						
Humanities & Languages	SHL	7,936	4,775	60%	3.8	0.9						
Psychology	SoP	4,196	1,784	43%	3.7	0.9						
Social Sciences	SSS	4,863	2,704	56%	3.8	1.0						
College of Business												
Accounting	SoA	4,847	1,999	41%	3.6	1.0						
Economics & Finance	SEF	4,252	1,522	36%	3.8	0.9						
Law	SoL	3,529	1,434	41%	3.8	1.0						
Management	SoMgt	7,950	3,943	50%	3.7	1.0						
Marketing	SoMkt	3,322	1,759	53%	3.7	0.9						
Sydney Graduate School of Management	SGSM	796	297	37%	4.1	0.8						
College of Health & Science												
Biomedical & Health Sciences	SBHS	5,009	2,940	59%	3.8	0.9						
Computing & Mathematics	SCM	5,649	1,572	28%	3.7	1.0						
Engineering	SoEng	3,155	1,226	39%	3.7	1.0						
Natural Sciences	SNS	4,342	2,024	47%	3.8	0.9						
Nursing	SoN	7,023	4,821	69%	3.6	0.9						
UWS		77,026	37,753	49%	3.8	1.0						

Item 5: [Assessment Feedback] - I was able to learn from feedback I received in this unit.

School Name	School Code	Surveys Issued	Item Response		Mean	St. Dev.	Scale								
			#	Rate			SD	D	N	A	SA				
College of Arts															
Communication Arts	SCA	4,833	2,585	53%	3.6	1.1									
Education	SoEdu	5,324	2,284	43%	3.5	1.1									
Humanities & Languages	SHL	7,936	4,740	60%	3.7	1.0									
Psychology	SoP	4,196	1,775	42%	3.4	1.1									
Social Sciences	SSS	4,863	2,698	55%	3.6	1.1									
College of Business															
Accounting	SoA	4,847	1,999	41%	3.4	1.0									
Economics & Finance	SEF	4,252	1,523	36%	3.5	1.0									
Law	SoL	3,529	1,407	40%	3.4	1.1									
Management	SoMgt	7,950	3,955	50%	3.5	1.0									
Marketing	SoMkt	3,322	1,759	53%	3.5	1.0									
Sydney Graduate School of Management	SGSM	796	296	37%	3.9	0.9									
College of Health & Science															
Biomedical & Health Sciences	SBHS	5,009	2,912	58%	3.5	1.0									
Computing & Mathematics	SCM	5,649	1,576	28%	3.6	1.1									
Engineering	SoEng	3,155	1,231	39%	3.3	1.2									
Natural Sciences	SNS	4,342	2,016	46%	3.5	1.0									
Nursing	SoN	7,023	4,806	68%	3.4	1.0									
UWS		77,026	37,562	49%	3.5	1.0									

Item 6: [Assessment Guidelines] - There were clear guidelines for all assessment tasks in this unit.

School Name	School Code	Surveys Issued	Item Response		Mean	St. Dev.	Scale					
			#	Rate			SD	D	N	A	SA	
College of Arts												
Communication Arts	SCA	4,833	2,601	54%	3.7	1.0						
Education	SoEdu	5,324	2,363	44%	3.6	1.1						
Humanities & Languages	SHL	7,936	4,799	60%	3.8	1.0						
Psychology	SoP	4,196	1,796	43%	3.8	1.0						
Social Sciences	SSS	4,863	2,720	56%	3.5	1.1						
College of Business												
Accounting	SoA	4,847	2,010	41%	3.6	1.0						
Economics & Finance	SEF	4,252	1,531	36%	3.8	1.0						
Law	SoL	3,529	1,444	41%	3.7	1.0						
Management	SoMgt	7,950	3,984	50%	3.6	1.1						
Marketing	SoMkt	3,322	1,774	53%	3.6	1.0						
Sydney Graduate School of Management	SGSM	796	300	38%	4.0	0.9						
College of Health & Science												
Biomedical & Health Sciences	SBHS	5,009	2,952	59%	3.7	1.1						
Computing & Mathematics	SCM	5,649	1,589	28%	3.8	1.0						
Engineering	SoEng	3,155	1,237	39%	3.5	1.1						
Natural Sciences	SNS	4,342	2,036	47%	3.7	1.0						
Nursing	SoN	7,023	4,848	69%	3.6	1.0						
UWS		77,026	37,984	49%	3.7	1.0						

Item 7: [Learning Resources] - The learning resources provided for this unit helped me to engage in learning.

School Name	School Code	Surveys Issued	Item Response		Mean	St. Dev.	Scale								
			#	Rate			SD	D	N	A	SA				
College of Arts															
Communication Arts	SCA	4,833	2,615	54%	3.6	0.9									
Education	SoEdu	5,324	2,384	45%	3.8	0.9									
Humanities & Languages	SHL	7,936	4,810	61%	3.7	0.9									
Psychology	SoP	4,196	1,805	43%	3.7	0.9									
Social Sciences	SSS	4,863	2,730	56%	3.6	1.0									
College of Business															
Accounting	SoA	4,847	2,015	42%	3.5	0.9									
Economics & Finance	SEF	4,252	1,534	36%	3.6	1.0									
Law	SoL	3,529	1,448	41%	3.7	1.0									
Management	SoMgt	7,950	3,984	50%	3.6	0.9									
Marketing	SoMkt	3,322	1,776	53%	3.6	0.9									
Sydney Graduate School of Management	SGSM	796	299	38%	4.0	0.9									
College of Health & Science															
Biomedical & Health Sciences	SBHS	5,009	2,957	59%	3.7	1.0									
Computing & Mathematics	SCM	5,649	1,574	28%	3.6	1.0									
Engineering	SoEng	3,155	1,234	39%	3.5	1.0									
Natural Sciences	SNS	4,342	2,041	47%	3.7	0.9									
Nursing	SoN	7,023	4,870	69%	3.6	0.9									
UWS															
		77,026	38,076	49%	3.6	0.9									

Item 8: [Learning Flexibility] - The unit provided a reasonable amount of flexibility for study.

School Name	School Code	Surveys Issued	Item Response		Mean	St. Dev.	Scale						
			#	Rate			SD	D	N	A	SA		
College of Arts													
Communication Arts	SCA	4,833	2,613	54%	3.8	0.9							
Education	SoEdu	5,324	2,381	45%	3.8	0.9							
Humanities & Languages	SHL	7,936	4,796	60%	3.8	0.9							
Psychology	SoP	4,196	1,807	43%	3.8	0.9							
Social Sciences	SSS	4,863	2,732	56%	3.8	0.9							
College of Business													
Accounting	SoA	4,847	2,013	42%	3.4	1.0							
Economics & Finance	SEF	4,252	1,535	36%	3.8	0.9							
Law	SoL	3,529	1,447	41%	3.6	1.0							
Management	SoMgt	7,950	3,989	50%	3.7	0.9							
Marketing	SoMkt	3,322	1,774	53%	3.8	0.9							
Sydney Graduate School of Management	SGSM	796	299	38%	4.1	0.8							
College of Health & Science													
Biomedical & Health Sciences	SBHS	5,009	2,950	59%	3.8	0.9							
Computing & Mathematics	SCM	5,649	1,584	28%	3.7	1.0							
Engineering	SoEng	3,155	1,245	39%	3.6	1.0							
Natural Sciences	SNS	4,342	2,033	47%	3.8	0.9							
Nursing	SoN	7,023	4,866	69%	3.7	0.9							
UWS		77,026	38,064	49%	3.7	0.9							

Item 9: [Learning Spaces] - The teaching and learning spaces used for this unit were adequate.

School Name	School Code	Surveys Issued	Item Response		Mean	St. Dev.	Scale					
			#	Rate			SD	D	N	A	SA	
College of Arts												
Communication Arts	SCA	4,833	2,609	54%	3.9	0.9						
Education	SoEdu	5,324	2,374	45%	3.9	0.9						
Humanities & Languages	SHL	7,936	4,799	60%	3.8	0.9						
Psychology	SoP	4,196	1,814	43%	3.9	0.9						
Social Sciences	SSS	4,863	2,728	56%	3.8	0.9						
College of Business												
Accounting	SoA	4,847	2,014	42%	3.6	1.0						
Economics & Finance	SEF	4,252	1,535	36%	3.8	0.9						
Law	SoL	3,529	1,441	41%	3.8	1.0						
Management	SoMgt	7,950	3,967	50%	3.8	0.9						
Marketing	SoMkt	3,322	1,773	53%	3.9	0.8						
Sydney Graduate School of Management	SGSM	796	297	37%	4.0	0.9						
College of Health & Science												
Biomedical & Health Sciences	SBHS	5,009	2,952	59%	3.8	1.0						
Computing & Mathematics	SCM	5,649	1,584	28%	3.7	1.0						
Engineering	SoEng	3,155	1,230	39%	3.7	1.0						
Natural Sciences	SNS	4,342	2,039	47%	3.8	0.9						
Nursing	SoN	7,023	4,850	69%	3.7	0.9						
UWS												
		77,026	38,006	49%	3.8	0.9						

Item 10: [Workload] - The amount of work required in this unit was reasonable.

School Name	School Code	Surveys Issued	Item Response		Mean	St. Dev.	Scale							
			#	Rate			SD	D	N	A	SA			
College of Arts														
Communication Arts	SCA	4,833	2,592	54%	3.9	0.9								
Education	SoEdu	5,324	2,365	44%	3.8	0.9								
Humanities & Languages	SHL	7,936	4,780	60%	3.8	0.9								
Psychology	SoP	4,196	1,803	43%	3.8	0.9								
Social Sciences	SSS	4,863	2,700	56%	3.9	0.8								
College of Business														
Accounting	SoA	4,847	2,006	41%	3.4	1.1								
Economics & Finance	SEF	4,252	1,529	36%	3.8	0.9								
Law	SoL	3,529	1,442	41%	3.7	1.0								
Management	SoMgt	7,950	3,958	50%	3.8	0.9								
Marketing	SoMkt	3,322	1,758	53%	3.8	0.9								
Sydney Graduate School of Management	SGSM	796	302	38%	4.1	0.7								
College of Health & Science														
Biomedical & Health Sciences	SBHS	5,009	2,939	59%	3.8	1.0								
Computing & Mathematics	SCM	5,649	1,565	28%	3.6	1.1								
Engineering	SoEng	3,155	1,236	39%	3.6	1.0								
Natural Sciences	SNS	4,342	2,019	46%	3.8	0.9								
Nursing	SoN	7,023	4,824	69%	3.7	0.8								
UWS														
		77,026	37,818	49%	3.8	0.9								

Item 11: [Equity/Fairness] - In this unit, people treated each other fairly and with respect.

School Name	School Code	Surveys Issued	Item Response		Mean	St. Dev.	Scale						
			#	Rate			SD	D	N	A	SA		
College of Arts													
Communication Arts	SCA	4,833	2,593	54%	4.2	0.9							
Education	SoEdu	5,324	2,378	45%	4.2	0.9							
Humanities & Languages	SHL	7,936	4,791	60%	4.2	0.9							
Psychology	SoP	4,196	1,806	43%	4.2	0.8							
Social Sciences	SSS	4,863	2,717	56%	4.1	0.9							
College of Business													
Accounting	SoA	4,847	2,001	41%	3.9	0.9							
Economics & Finance	SEF	4,252	1,532	36%	4.0	0.9							
Law	SoL	3,529	1,440	41%	4.1	0.9							
Management	SoMgt	7,950	3,976	50%	4.1	0.9							
Marketing	SoMkt	3,322	1,771	53%	4.0	0.9							
Sydney Graduate School of Management	SGSM	796	301	38%	4.3	0.7							
College of Health & Science													
Biomedical & Health Sciences	SBHS	5,009	2,962	59%	4.1	0.9							
Computing & Mathematics	SCM	5,649	1,578	28%	4.0	0.9							
Engineering	SoEng	3,155	1,238	39%	4.0	0.9							
Natural Sciences	SNS	4,342	2,038	47%	4.1	0.9							
Nursing	SoN	7,023	4,850	69%	4.0	0.8							
UWS													
		77,026	37,972	49%	4.1	0.9							

Item 12: [Generic Skills] - This unit helped me develop my skills in critical thinking, analysing, problem solving and communicating.

School Name	School Code	Surveys Issued	Item Response		Mean	St. Dev.	Scale					
			#	Rate			SD	D	N	A	SA	
College of Arts												
Communication Arts	SCA	4,833	2,601	54%	3.8	0.9						
Education	SoEdu	5,324	2,383	45%	3.9	0.9						
Humanities & Languages	SHL	7,936	4,807	61%	3.8	0.9						
Psychology	SoP	4,196	1,811	43%	3.8	0.9						
Social Sciences	SSS	4,863	2,722	56%	3.8	0.9						
College of Business												
Accounting	SoA	4,847	2,019	42%	3.7	0.9						
Economics & Finance	SEF	4,252	1,537	36%	3.8	0.9						
Law	SoL	3,529	1,448	41%	3.8	0.9						
Management	SoMgt	7,950	3,986	50%	3.8	0.9						
Marketing	SoMkt	3,322	1,778	54%	3.8	0.9						
Sydney Graduate School of Management	SGSM	796	302	38%	4.2	0.7						
College of Health & Science												
Biomedical & Health Sciences	SBHS	5,009	2,958	59%	3.8	0.9						
Computing & Mathematics	SCM	5,649	1,580	28%	3.7	1.0						
Engineering	SoEng	3,155	1,244	39%	3.7	1.0						
Natural Sciences	SNS	4,342	2,038	47%	3.8	0.9						
Nursing	SoN	7,023	4,867	69%	3.7	0.9						
UWS		77,026	38,081	49%	3.8	0.9						

Item 13: [Overall Experience] - Overall, I've had a satisfactory learning experience in this unit.

School Name	School Code	Surveys Issued	Item Response		Mean	St. Dev.	Scale					
			#	Rate			SD	D	N	A	SA	
College of Arts												
Communication Arts	SCA	4,833	2,590	54%	3.9	1.0						
Education	SoEdu	5,324	2,381	45%	4.0	0.9						
Humanities & Languages	SHL	7,936	4,799	60%	4.0	0.9						
Psychology	SoP	4,196	1,806	43%	4.0	0.9						
Social Sciences	SSS	4,863	2,700	56%	3.9	1.0						
College of Business												
Accounting	SoA	4,847	2,004	41%	3.6	0.9						
Economics & Finance	SEF	4,252	1,532	36%	3.9	0.9						
Law	SoL	3,529	1,441	41%	3.9	1.0						
Management	SoMgt	7,950	3,969	50%	3.8	0.9						
Marketing	SoMkt	3,322	1,767	53%	3.9	0.9						
Sydney Graduate School of Management	SGSM	796	300	38%	4.1	0.8						
College of Health & Science												
Biomedical & Health Sciences	SBHS	5,009	2,949	59%	3.9	0.9						
Computing & Mathematics	SCM	5,649	1,579	28%	3.7	1.1						
Engineering	SoEng	3,155	1,243	39%	3.7	1.0						
Natural Sciences	SNS	4,342	2,034	47%	3.9	0.9						
Nursing	SoN	7,023	4,858	69%	3.8	0.9						
UWS												
		77,026	37,952	49%	3.9	0.9						