

Report: Student Feedback on Unit (SFU) Survey

Session: 2006.1

**University of Western Sydney
School Report by Item**

Item Report

TECHNICAL NOTES

Rating Scale Used

The data collected in this survey were based on a 5 point rating scale from 1 through to 5 as follows:

- SD = Strongly Disagree (1 on the rating scale)
- D = Disagree (2 on the rating scale)
- N = Neutral (3 on the rating scale)
- A = Agree (4 on the rating scale)
- SA = Strongly Agree (5 on the rating scale)

Data Veracity Checks

The following checks have been made to ensure the veracity of the data. It has been confirmed that:

- Responses for all Units are in one response rating category only.
- Each Unit is allocated to only 1 School.
- School Unit ownership is based on the current School as per the review structure.
- For each Unit the number of SFU responses is not greater than number of surveys issued.
- For each Unit the number of SFU responses (SD, D, N, A, SA, not answered) for each item (question) equals the total number of responses for the survey for that Unit (i.e. if a Unit has 63 responses to the SFU, then the total responses (including no response) for each of the 13 items will also be 63).
- All means are within the range 0 to 5 inclusive.
- All standard deviations are \geq zero.

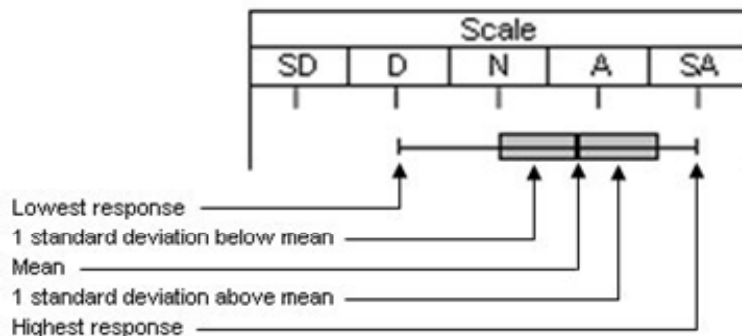
In all cases, where discrepancies were found, clarification was sought from the Educational Development Centre (EDC) and data were corrected.

Data Interpretation

- Please note that any Unit item with less than 10 responses should be treated with caution as there are not enough responses to draw any meaningful conclusions. Also larger Units with a low response rate should be treated with caution as the responses received may not be representative of the student body as a whole.

Mean and Standard Deviation Charts

The charts in this report are of the “*box and whisker*” variety. The following diagram illustrates how to interpret these charts.



Where there is only one response, or if there is only a small number of responses and they are all the same, only a vertical line will be displayed for the chart. This represents the mean, lowest response and the highest response. In this case, the standard deviation would be zero, so nothing would be displayed for this.

Privacy

Where a Unit has received less than 4 responses, details of the responses are not shown.

Table of Contents

Item	Page
1. [Unit Content] - The unit covered what the unit outline said it would.	2
2. [Relevance] - I was able to see the relevance of this unit to my course.	3
3. [Learning Design] - The learning activities in this unit have helped my learning.	4
4. [Assessment Activities] - The assessments in this unit have helped me learn.	5
5. [Assessment Feedback] - I was able to learn from feedback I received in this unit.	6
6. [Assessment Guidelines] - There were clear guidelines for all assessment tasks in this unit.	7
7. [Learning Resources] - The learning resources provided for this unit helped me to engage in learning.	8
8. [Learning Flexibility] - The unit provided a reasonable amount of flexibility for study.	9
9. [Learning Spaces] - The teaching and learning spaces used for this unit were adequate.	10
10. [Workload] - The amount of work required in this unit was reasonable.	11
11. [Equity/Fairness] - In this unit, people treated each other fairly and with respect.	12
12. [Generic Skills] - This unit helped me develop my skills in critical thinking, analysing, problem solving and communicating.	13
13. [Overall Experience] - Overall, I've had a satisfactory learning experience in this unit.	14

**University of
Western Sydney**

Item 1: [Unit Content] - The unit covered what the unit outline said it would.

School Name	School Code	Surveys Issued	Item Response		Mean	St. Dev.	Scale					
			#	Rate			SD	D	N	A	SA	
College of Arts												
Communication Arts	SCA	5,734	2,781	49%	4.1	0.8						
Education	SoEdu	5,826	2,531	43%	4.1	0.8						
Humanities & Languages	SHL	8,127	4,698	58%	4.2	0.8						
Psychology	SoP	4,105	2,271	55%	4.2	0.8						
Social Sciences	SSS	6,913	3,684	53%	4.1	0.8						
College of Business												
Accounting	SoA	5,245	1,942	37%	4.0	0.8						
Economics & Finance	SEF	4,436	1,528	34%	4.1	0.8						
Law	SoL	5,415	1,917	35%	4.1	0.8						
Management	SoMgt	7,433	3,790	51%	4.0	0.8						
Marketing	SoMkt	3,818	2,129	56%	4.0	0.8						
Sydney Graduate School of Management	SGSM	1,290	721	56%	4.2	0.8						
College of Health & Science												
Biomedical & Health Sciences	SBHS	7,307	4,288	59%	4.0	0.9						
Computing & Mathematics	SCM	7,647	2,730	36%	4.0	0.9						
Engineering	SoEng	3,770	1,634	43%	4.0	0.8						
Natural Sciences	SNS	4,827	2,556	53%	4.1	0.8						
Nursing	SoN	7,981	5,067	63%	4.0	0.7						
UWS												
		89,874	44,267	49%	4.1	0.8						

Item 2: [Relevance] - I was able to see the relevance of this unit to my course.

School Name	School Code	Surveys Issued	Item Response		Mean	St. Dev.	Scale					
			#	Rate			SD	D	N	A	SA	
College of Arts												
Communication Arts	SCA	5,734	2,781	49%	4.0	1.0						
Education	SoEdu	5,826	2,513	43%	4.2	0.9						
Humanities & Languages	SHL	8,127	4,653	57%	3.8	1.1						
Psychology	SoP	4,105	2,262	55%	4.2	0.8						
Social Sciences	SSS	6,913	3,688	53%	4.0	1.0						
College of Business												
Accounting	SoA	5,245	1,937	37%	3.9	0.9						
Economics & Finance	SEF	4,436	1,511	34%	3.9	0.9						
Law	SoL	5,415	1,925	36%	4.1	0.9						
Management	SoMgt	7,433	3,775	51%	4.0	0.9						
Marketing	SoMkt	3,818	2,106	55%	4.0	0.9						
Sydney Graduate School of Management	SGSM	1,290	725	56%	4.2	0.8						
College of Health & Science												
Biomedical & Health Sciences	SBHS	7,307	4,258	58%	4.0	1.0						
Computing & Mathematics	SCM	7,647	2,723	36%	3.6	1.1						
Engineering	SoEng	3,770	1,626	43%	3.9	1.0						
Natural Sciences	SNS	4,827	2,528	52%	4.1	0.9						
Nursing	SoN	7,981	5,051	63%	4.0	0.9						
UWS		89,874	44,062	49%	4.0	1.0						

Item 3: [Learning Design] - The learning activities in this unit have helped my learning.

School Name	School Code	Surveys Issued	Item Response		Mean	St. Dev.	Scale						
			#	Rate			SD	D	N	A	SA		
College of Arts													
Communication Arts	SCA	5,734	2,781	49%	3.8	0.9							
Education	SoEdu	5,826	2,493	43%	3.9	1.0							
Humanities & Languages	SHL	8,127	4,637	57%	3.8	1.0							
Psychology	SoP	4,105	2,252	55%	3.8	0.9							
Social Sciences	SSS	6,913	3,664	53%	3.8	1.0							
College of Business													
Accounting	SoA	5,245	1,919	37%	3.7	0.9							
Economics & Finance	SEF	4,436	1,517	34%	3.7	0.9							
Law	SoL	5,415	1,912	35%	3.6	1.0							
Management	SoMgt	7,433	3,746	50%	3.7	0.9							
Marketing	SoMkt	3,818	2,096	55%	3.7	0.9							
Sydney Graduate School of Management	SGSM	1,290	289	22%	4.0	0.9							
College of Health & Science													
Biomedical & Health Sciences	SBHS	7,307	4,245	58%	3.8	1.0							
Computing & Mathematics	SCM	7,647	2,723	36%	3.6	1.0							
Engineering	SoEng	3,770	1,618	43%	3.8	1.0							
Natural Sciences	SNS	4,827	2,524	52%	3.9	0.9							
Nursing	SoN	7,981	5,000	63%	3.7	0.9							
UWS													
		89,874	43,416	48%	3.8	1.0							

Item 4: [Assessment Activities] - The assessments in this unit have helped me learn.

School Name	School Code	Surveys Issued	Item Response		Mean	St. Dev.	Scale						
			#	Rate			SD	D	N	A	SA		
College of Arts													
Communication Arts	SCA	5,734	2,751	48%	3.9	0.9							
Education	SoEdu	5,826	2,483	43%	3.9	1.0							
Humanities & Languages	SHL	8,127	4,626	57%	3.8	0.9							
Psychology	SoP	4,105	2,219	54%	3.7	1.0							
Social Sciences	SSS	6,913	3,646	53%	3.8	0.9							
College of Business													
Accounting	SoA	5,245	1,916	37%	3.6	0.9							
Economics & Finance	SEF	4,436	1,496	34%	3.8	1.0							
Law	SoL	5,415	1,890	35%	3.6	1.1							
Management	SoMgt	7,433	3,720	50%	3.7	1.0							
Marketing	SoMkt	3,818	2,078	54%	3.7	1.0							
Sydney Graduate School of Management	SGSM	1,290	720	56%	4.0	0.9							
College of Health & Science													
Biomedical & Health Sciences	SBHS	7,307	4,179	57%	3.7	1.0							
Computing & Mathematics	SCM	7,647	2,679	35%	3.7	1.0							
Engineering	SoEng	3,770	1,611	43%	3.8	1.0							
Natural Sciences	SNS	4,827	2,487	52%	3.9	1.0							
Nursing	SoN	7,981	4,980	62%	3.7	1.0							
UWS													
UWS		89,874	43,481	48%	3.8	1.0							

Item 5: [Assessment Feedback] - I was able to learn from feedback I received in this unit.

School Name	School Code	Surveys Issued	Item Response		Mean	St. Dev.	Scale						
			#	Rate			SD	D	N	A	SA		
College of Arts													
Communication Arts	SCA	5,734	2,751	48%	3.6	1.0							
Education	SoEdu	5,826	2,451	42%	3.6	1.1							
Humanities & Languages	SHL	8,127	4,590	56%	3.6	1.0							
Psychology	SoP	4,105	2,180	53%	3.4	1.1							
Social Sciences	SSS	6,913	3,621	52%	3.6	1.0							
College of Business													
Accounting	SoA	5,245	1,893	36%	3.4	1.0							
Economics & Finance	SEF	4,436	1,493	34%	3.4	1.1							
Law	SoL	5,415	1,857	34%	3.2	1.2							
Management	SoMgt	7,433	3,723	50%	3.5	1.0							
Marketing	SoMkt	3,818	2,086	55%	3.5	1.0							
Sydney Graduate School of Management	SGSM	1,290	286	22%	3.7	1.1							
College of Health & Science													
Biomedical & Health Sciences	SBHS	7,307	4,175	57%	3.4	1.1							
Computing & Mathematics	SCM	7,647	2,694	35%	3.5	1.0							
Engineering	SoEng	3,770	1,581	42%	3.4	1.1							
Natural Sciences	SNS	4,827	2,504	52%	3.6	1.1							
Nursing	SoN	7,981	4,969	62%	3.5	1.0							
UWS													
		89,874	42,854	48%	3.5	1.1							

Item 6: [Assessment Guidelines] - There were clear guidelines for all assessment tasks in this unit.

School Name	School Code	Surveys Issued	Item Response		Mean	St. Dev.	Scale					
			#	Rate			SD	D	N	A	SA	
College of Arts												
Communication Arts	SCA	5,734	2,766	48%	3.6	1.1						
Education	SoEdu	5,826	2,507	43%	3.6	1.1						
Humanities & Languages	SHL	8,127	4,632	57%	3.9	1.0						
Psychology	SoP	4,105	2,253	55%	3.6	1.0						
Social Sciences	SSS	6,913	3,680	53%	3.6	1.0						
College of Business												
Accounting	SoA	5,245	1,922	37%	3.6	1.0						
Economics & Finance	SEF	4,436	1,518	34%	3.8	1.0						
Law	SoL	5,415	1,915	35%	3.6	1.1						
Management	SoMgt	7,433	3,734	50%	3.7	1.0						
Marketing	SoMkt	3,818	2,102	55%	3.7	1.0						
Sydney Graduate School of Management	SGSM	1,290	721	56%	4.0	0.9						
College of Health & Science												
Biomedical & Health Sciences	SBHS	7,307	4,232	58%	3.7	1.1						
Computing & Mathematics	SCM	7,647	2,710	35%	3.8	1.0						
Engineering	SoEng	3,770	1,618	43%	3.6	1.1						
Natural Sciences	SNS	4,827	2,508	52%	3.7	1.1						
Nursing	SoN	7,981	5,031	63%	3.6	1.0						
UWS		89,874	43,849	49%	3.7	1.0						

Item 7: [Learning Resources] - The learning resources provided for this unit helped me to engage in learning.

School Name	School Code	Surveys Issued	Item Response		Mean	St. Dev.	Scale							
			#	Rate			SD	D	N	A	SA			
College of Arts														
Communication Arts	SCA	5,734	2,768	48%	3.6	0.9								
Education	SoEdu	5,826	2,517	43%	3.7	0.9								
Humanities & Languages	SHL	8,127	4,672	57%	3.7	0.9								
Psychology	SoP	4,105	2,261	55%	3.7	0.9								
Social Sciences	SSS	6,913	3,685	53%	3.6	0.9								
College of Business														
Accounting	SoA	5,245	1,931	37%	3.5	1.0								
Economics & Finance	SEF	4,436	1,513	34%	3.6	0.9								
Law	SoL	5,415	1,919	35%	3.6	1.0								
Management	SoMgt	7,433	3,758	51%	3.6	0.9								
Marketing	SoMkt	3,818	2,107	55%	3.6	0.9								
Sydney Graduate School of Management	SGSM	1,290	729	57%	3.9	0.9								
College of Health & Science														
Biomedical & Health Sciences	SBHS	7,307	4,249	58%	3.6	1.0								
Computing & Mathematics	SCM	7,647	2,710	35%	3.6	1.0								
Engineering	SoEng	3,770	1,624	43%	3.5	1.0								
Natural Sciences	SNS	4,827	2,529	52%	3.7	1.0								
Nursing	SoN	7,981	5,061	63%	3.6	0.9								
UWS														
		89,874	44,033	49%	3.6	0.9								

Item 8: [Learning Flexibility] - The unit provided a reasonable amount of flexibility for study.

School Name	School Code	Surveys Issued	Item Response		Mean	St. Dev.	Scale					
			#	Rate			SD	D	N	A	SA	
College of Arts												
Communication Arts	SCA	5,734	2,774	48%	3.9	0.8						
Education	SoEdu	5,826	2,505	43%	3.8	0.9						
Humanities & Languages	SHL	8,127	4,659	57%	3.8	0.9						
Psychology	SoP	4,105	2,252	55%	3.7	0.9						
Social Sciences	SSS	6,913	3,664	53%	3.8	0.9						
College of Business												
Accounting	SoA	5,245	1,921	37%	3.4	1.0						
Economics & Finance	SEF	4,436	1,508	34%	3.7	0.9						
Law	SoL	5,415	1,914	35%	3.5	1.0						
Management	SoMgt	7,433	3,749	50%	3.7	0.9						
Marketing	SoMkt	3,818	2,101	55%	3.7	0.9						
Sydney Graduate School of Management	SGSM	1,290	730	57%	3.9	0.9						
College of Health & Science												
Biomedical & Health Sciences	SBHS	7,307	4,236	58%	3.6	1.0						
Computing & Mathematics	SCM	7,647	2,720	36%	3.6	1.0						
Engineering	SoEng	3,770	1,628	43%	3.6	1.0						
Natural Sciences	SNS	4,827	2,520	52%	3.8	0.9						
Nursing	SoN	7,981	5,050	63%	3.6	0.9						
UWS		89,874	43,931	49%	3.7	0.9						

Item 9: [Learning Spaces] - The teaching and learning spaces used for this unit were adequate.

School Name	School Code	Surveys Issued	Item Response		Mean	St. Dev.	Scale							
			#	Rate			SD	D	N	A	SA			
College of Arts														
Communication Arts	SCA	5,734	2,776	48%	3.8	0.9								
Education	SoEdu	5,826	2,503	43%	3.9	0.9								
Humanities & Languages	SHL	8,127	4,664	57%	3.8	0.9								
Psychology	SoP	4,105	2,243	55%	3.8	0.9								
Social Sciences	SSS	6,913	3,677	53%	3.8	0.9								
College of Business														
Accounting	SoA	5,245	1,924	37%	3.6	0.9								
Economics & Finance	SEF	4,436	1,512	34%	3.7	1.0								
Law	SoL	5,415	1,912	35%	3.5	1.1								
Management	SoMgt	7,433	3,744	50%	3.7	0.9								
Marketing	SoMkt	3,818	2,107	55%	3.7	1.0								
Sydney Graduate School of Management	SGSM	1,290	723	56%	3.9	0.9								
College of Health & Science														
Biomedical & Health Sciences	SBHS	7,307	4,207	58%	3.8	1.0								
Computing & Mathematics	SCM	7,647	2,718	36%	3.7	1.0								
Engineering	SoEng	3,770	1,619	43%	3.6	1.0								
Natural Sciences	SNS	4,827	2,521	52%	3.9	0.9								
Nursing	SoN	7,981	5,029	63%	3.7	0.9								
UWS														
		89,874	43,879	49%	3.7	0.9								

Item 10: [Workload] - The amount of work required in this unit was reasonable.

School Name	School Code	Surveys Issued	Item Response		Mean	St. Dev.	Scale					
			#	Rate			SD	D	N	A	SA	
College of Arts												
Communication Arts	SCA	5,734	2,761	48%	4.0	0.8						
Education	SoEdu	5,826	2,484	43%	3.8	0.9						
Humanities & Languages	SHL	8,127	4,629	57%	3.8	0.9						
Psychology	SoP	4,105	2,231	54%	3.8	0.9						
Social Sciences	SSS	6,913	3,631	53%	3.8	0.9						
College of Business												
Accounting	SoA	5,245	1,914	36%	3.4	1.1						
Economics & Finance	SEF	4,436	1,507	34%	3.8	0.9						
Law	SoL	5,415	1,900	35%	3.5	1.0						
Management	SoMgt	7,433	3,708	50%	3.8	0.9						
Marketing	SoMkt	3,818	2,083	55%	3.7	0.9						
Sydney Graduate School of Management	SGSM	1,290	729	57%	4.0	0.9						
College of Health & Science												
Biomedical & Health Sciences	SBHS	7,307	4,211	58%	3.6	1.0						
Computing & Mathematics	SCM	7,647	2,693	35%	3.6	1.0						
Engineering	SoEng	3,770	1,615	43%	3.6	1.0						
Natural Sciences	SNS	4,827	2,513	52%	3.9	0.9						
Nursing	SoN	7,981	4,994	63%	3.7	0.9						
UWS		89,874	43,603	49%	3.7	0.9						

Item 11: [Equity/Fairness] - In this unit, people treated each other fairly and with respect.

School Name	School Code	Surveys Issued	Item Response		Mean	St. Dev.	Scale						
			#	Rate			SD	D	N	A	SA		
College of Arts													
Communication Arts	SCA	5,734	2,781	49%	4.2	0.8							
Education	SoEdu	5,826	2,509	43%	4.2	0.9							
Humanities & Languages	SHL	8,127	4,642	57%	4.2	0.8							
Psychology	SoP	4,105	2,253	55%	4.2	0.8							
Social Sciences	SSS	6,913	3,666	53%	4.2	0.9							
College of Business													
Accounting	SoA	5,245	1,932	37%	3.9	0.9							
Economics & Finance	SEF	4,436	1,504	34%	4.0	0.9							
Law	SoL	5,415	1,920	35%	3.9	0.9							
Management	SoMgt	7,433	3,736	50%	4.1	0.9							
Marketing	SoMkt	3,818	2,106	55%	4.1	0.9							
Sydney Graduate School of Management	SGSM	1,290	289	22%	4.3	0.8							
College of Health & Science													
Biomedical & Health Sciences	SBHS	7,307	4,208	58%	4.1	0.9							
Computing & Mathematics	SCM	7,647	2,705	35%	4.0	0.9							
Engineering	SoEng	3,770	1,622	43%	4.0	0.9							
Natural Sciences	SNS	4,827	2,511	52%	4.2	0.9							
Nursing	SoN	7,981	4,998	63%	4.0	0.9							
UWS													
		89,874	43,382	48%	4.1	0.9							

Item 12: [Generic Skills] - This unit helped me develop my skills in critical thinking, analysing, problem solving and communicating.

School Name	School Code	Surveys Issued	Item Response		Mean	St. Dev.	Scale					
			#	Rate			SD	D	N	A	SA	
College of Arts												
Communication Arts	SCA	5,734	2,781	49%	3.8	0.9						
Education	SoEdu	5,826	2,507	43%	3.9	0.9						
Humanities & Languages	SHL	8,127	4,666	57%	3.8	0.9						
Psychology	SoP	4,105	2,253	55%	3.8	0.9						
Social Sciences	SSS	6,913	3,675	53%	3.8	0.9						
College of Business												
Accounting	SoA	5,245	1,941	37%	3.7	0.9						
Economics & Finance	SEF	4,436	1,519	34%	3.7	0.9						
Law	SoL	5,415	1,920	35%	3.7	1.0						
Management	SoMgt	7,433	3,739	50%	3.7	0.9						
Marketing	SoMkt	3,818	2,113	55%	3.8	0.9						
Sydney Graduate School of Management	SGSM	1,290	289	22%	4.0	0.9						
College of Health & Science												
Biomedical & Health Sciences	SBHS	7,307	4,228	58%	3.7	1.0						
Computing & Mathematics	SCM	7,647	2,720	36%	3.7	1.0						
Engineering	SoEng	3,770	1,632	43%	3.7	0.9						
Natural Sciences	SNS	4,827	2,528	52%	3.8	0.9						
Nursing	SoN	7,981	5,006	63%	3.7	0.9						
UWS		89,874	43,517	48%	3.8	0.9						

Item 13: [Overall Experience] - Overall, I've had a satisfactory learning experience in this unit.

School Name	School Code	Surveys Issued	Item Response		Mean	St. Dev.	Scale					
			#	Rate			SD	D	N	A	SA	
College of Arts												
Communication Arts	SCA	5,734	2,774	48%	3.9	0.9						
Education	SoEdu	5,826	2,493	43%	4.0	0.9						
Humanities & Languages	SHL	8,127	4,656	57%	3.9	0.9						
Psychology	SoP	4,105	2,247	55%	3.9	0.9						
Social Sciences	SSS	6,913	3,647	53%	3.9	0.9						
College of Business												
Accounting	SoA	5,245	1,936	37%	3.7	0.9						
Economics & Finance	SEF	4,436	1,516	34%	3.8	0.9						
Law	SoL	5,415	1,915	35%	3.7	1.1						
Management	SoMgt	7,433	3,750	50%	3.9	0.9						
Marketing	SoMkt	3,818	2,106	55%	3.8	0.9						
Sydney Graduate School of Management	SGSM	1,290	731	57%	4.1	0.9						
College of Health & Science												
Biomedical & Health Sciences	SBHS	7,307	4,203	58%	3.8	1.0						
Computing & Mathematics	SCM	7,647	2,713	35%	3.7	1.0						
Engineering	SoEng	3,770	1,614	43%	3.8	1.0						
Natural Sciences	SNS	4,827	2,511	52%	4.0	0.9						
Nursing	SoN	7,981	5,040	63%	3.8	0.9						
UWS												
		89,874	43,852	49%	3.9	1.0						